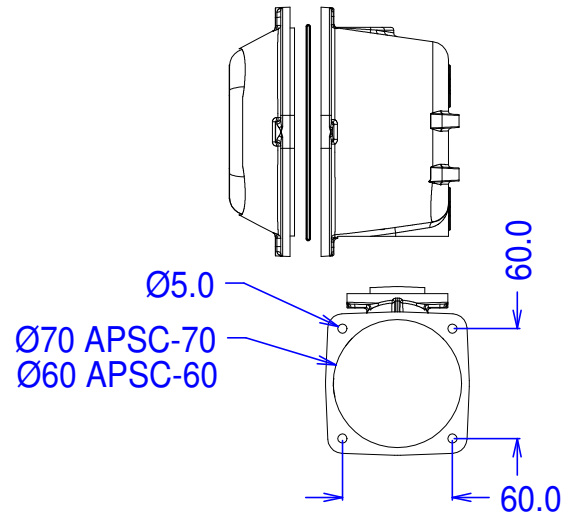


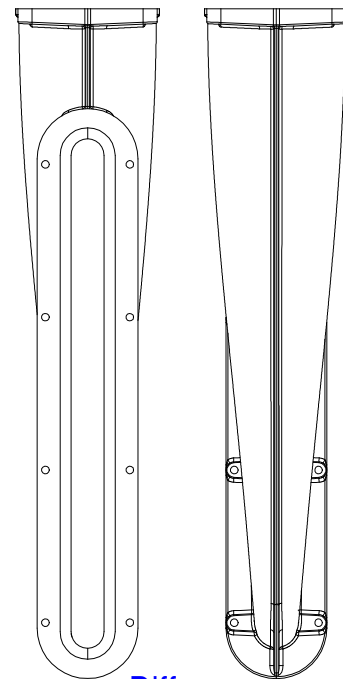


## APSC-60 and APSC-70 Plenum for pressure-charged engines

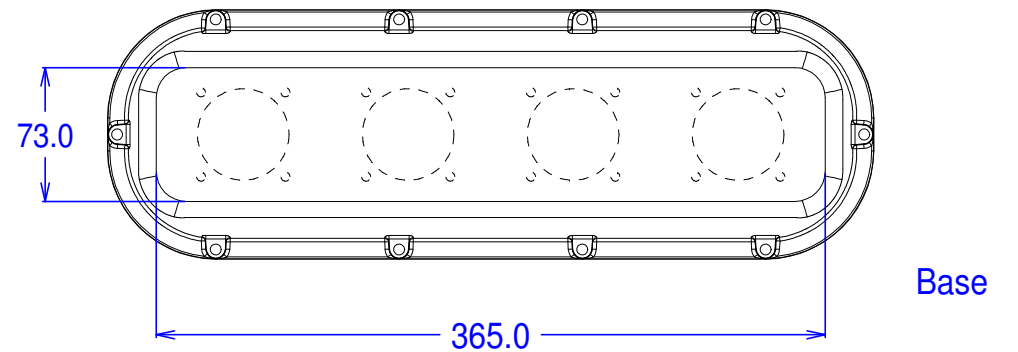
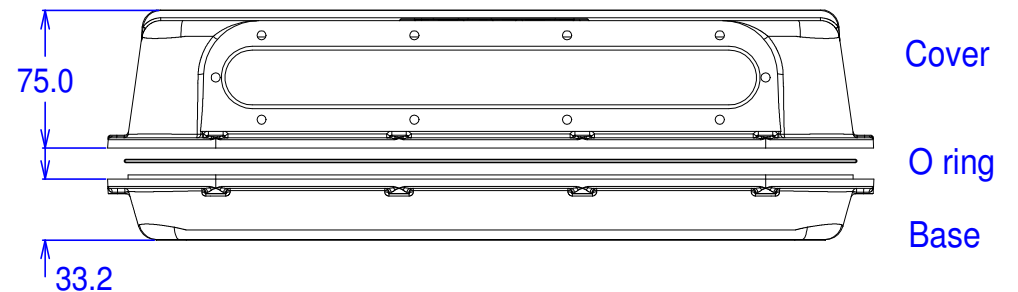
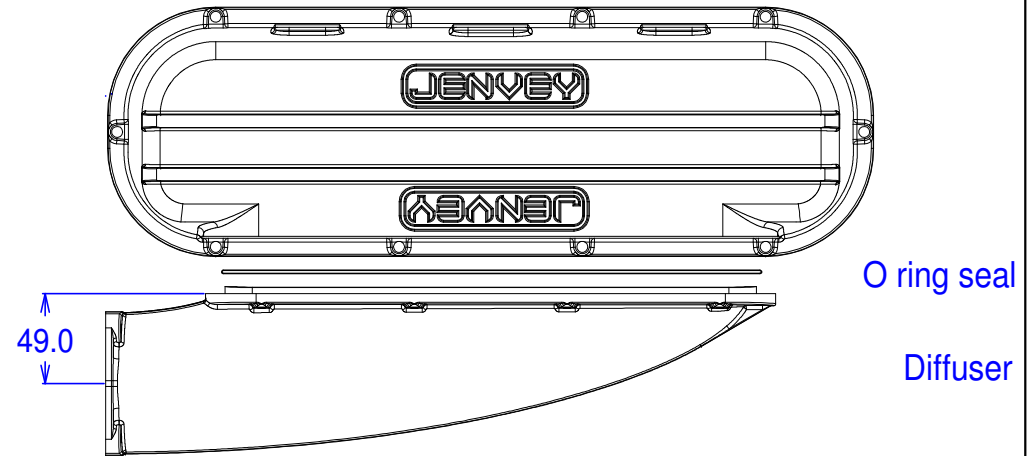
APSC-70 shown.



Diffuser shape and dimensions are proportioned appropriately to suit flow of 60 and 70mm inlet sizes respectively and encourage even air distribution to all cylinders.



Diffuser



Diffuser may be fitted above or below the plenum and pointing to left or right. Optional machining of base is available to suit engine and induction dimensions.