

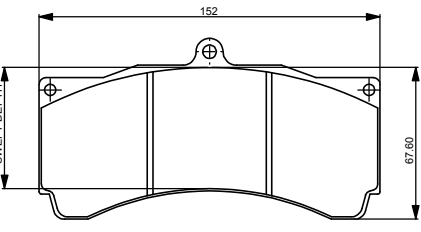
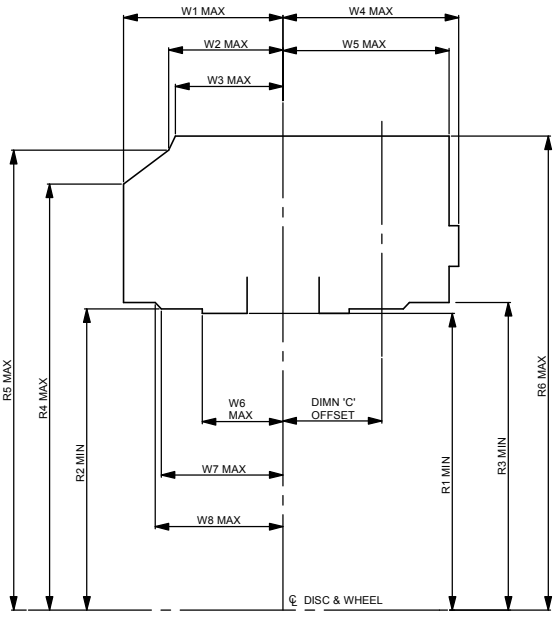
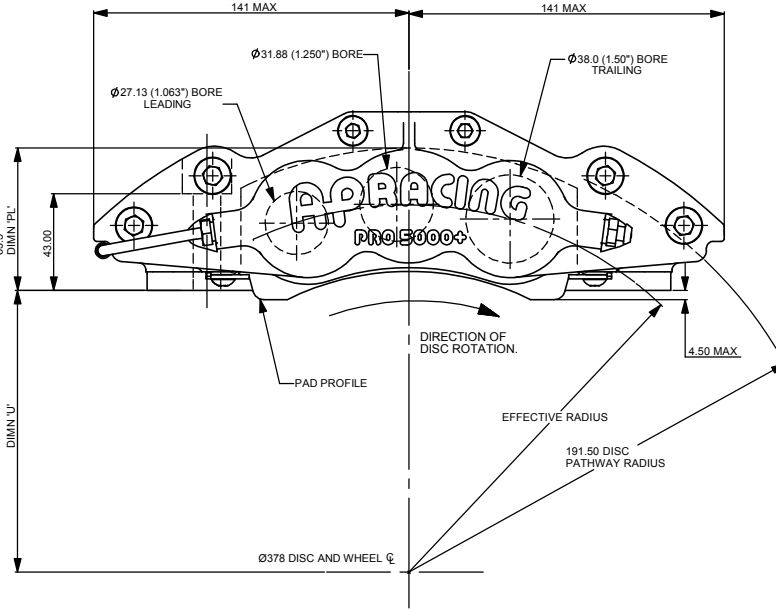
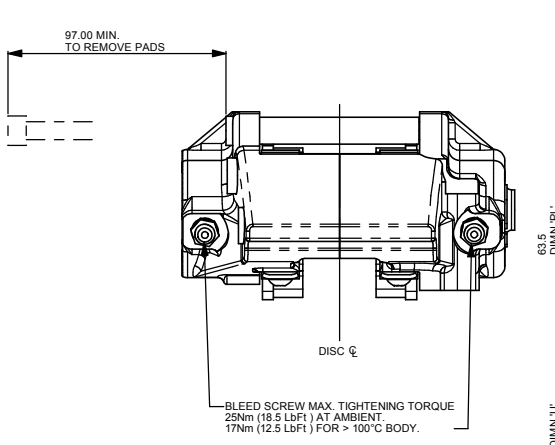
B1 INSTALLATION DRAWING

IF THIS DOCUMENT IS PRINTED IN HARD COPY, IT IS FOR INFORMATION USE ONLY AND THEREFORE IS NOT SUBJECT TO UPDATING CONTROLS. ALWAYS REFER TO SOLIDWORKS VIEWER FOR LATEST ISSUE

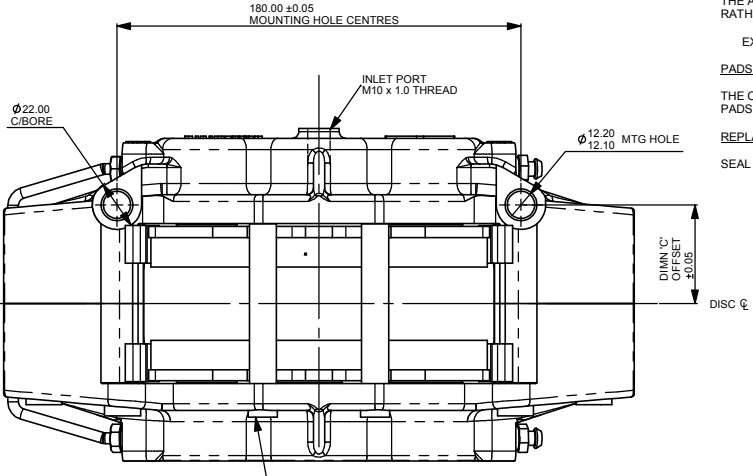


THIS DRAWING IS CONFIDENTIAL AND IS SUPPLIED ON THE EXPRESS CONDITION THAT IT SHALL NOT BE LOANED OR COPIED OR DISCLOSED TO ANY OTHER PERSON OR USED FOR ANY OTHER PURPOSE WITHOUT THE WRITTEN CONSENT OF AP RACING LTD.

AP RACING
 © AP Racing Ltd. 2002
 AP Racing
 Wheler Road
 Coventry
 CV3 4LB
 Tel: +44 024 7663 9595 e-mail: sales@apracing.co.uk
 Fax: +44 024 7663 9599 Web site: HTTP://www.apracing.com



CP3894 FAMILY
 PAD THICKNESS 18.0mm
 PAD AREA 76.30cm²
 PAD VOLUME 100.1cm³



PAD RETAINING BOLTS SHOULD BE TIGHTENED TO A TORQUE OF 15Nm (11 Lbs Ft). IF POSSIBLE IT IS RECOMMENDED THAT THESE BOLTS ARE LOCKWIRED IN POSITION.

GENERAL DESCRIPTION:

THIS IS A 6 PISTON DIFFERENTIAL BORE CALIPER DESIGNED TO OPERATE ON A VENTILATED IRON DISC OF UP TO Ø378.0mm DIA BY 32.0mm. TO 35.6 THICK. STAINLESS STEEL BRIDGE PIPES AND PAD ABUTMENT WEAR PLATES ARE FITTED. SEALS ARE HIGH TEMPERATURE 'SEAL-IN-BORE' TYPE.

TYPICAL APPLICATION:

BUDGET RACING SERIES

TECHNICAL INFORMATION:

TOTAL PISTON AREA: 50.1cm²
 PISTON MATERIAL: ALUMINIUM (STANDARD)
 BODY MATERIAL: CAST ALUMINIUM ALLOY
 ALL HYDRAULIC THREADS M10x1.0
 ASSEMBLY WEIGHT : 2.9 Kg (WITHOUT PADS)

INSTALLATION INFORMATION:

DISC & CALIPER MOUNTING TOLERANCES TO BE SUCH THAT THE DISC IS CENTRAL TO THE CALIPER TO WITHIN ±0.5mm

KEY TO DIMENSIONS:

DIMENSION 'PL': TOP OF PAD MATERIAL TO MOUNTING BOSS FACE WITH PAD SITTING DOWN ON LEDGE.
 DIMENSION 'U': WHEEL CENTRE LINE TO CALIPER MOUNTING BOSS FACE (DISC Ø/2)-DIMENSION 'PL'.
 DIMENSION 'C': OFFSET - DISC CENTRE LINE TO MOUNTING HOLES.
 EFFECTIVE RAD: DISTANCE FROM WHEEL CENTRE LINE TO NOMINAL PISTON CENTRE LINE.

AP RACING TECHNICAL SECTION WILL BE PLEASED TO ADVISE ON THE MOST SUITABLE EQUIPMENT FOR ANY PARTICULAR APPLICATION.

CALIPER PART NUMBERS

- CP5060-234 - RIGHT HAND TRAILING (BEHIND AXLE)
- CP5060-334 - LEFT HAND TRAILING (BEHIND AXLE)
- CP5060-4S4 - RIGHT HAND LEADING (IN FRONT OF AXLE)
- CP5060-5S4 - LEFT HAND LEADING (IN FRONT OF AXLE)
- CP5060-10S4 - RIGHT HAND TRAILING (BEHIND AXLE)
- CP5060-11S4 - LEFT HAND TRAILING (BEHIND AXLE)
- CP5060-12S4 - RIGHT HAND LEADING (IN FRONT OF AXLE)
- CP5060-13S4 - LEFT HAND LEADING (IN FRONT OF AXLE)

THE ADDITION OF AN 'L' SUFFIX DENOTES STAINLESS STEEL PISTONS RATHER THAN THE STANDARD ALUMINIUM ALLOY PISTONS

EXAMPLE PART No CP5060-2S4

PADS

THE CORRECT PAD FAMILY NUMBER FOR THIS CALIPER IS CP3894. PADS SHOULD BE ORDERED SEPARATELY.

REPLACEMENT SEAL KIT

SEAL KIT (HIGH TEMPERATURE) CP4518-CEJ

CALIPER IDENTIFICATION CHART		
RHT	RIGHT HAND TRAILING	BEHIND AXLE (AS DRAWN)
LHT	LEFT HAND TRAILING	BEHIND AXLE
RHL	RIGHT HAND LEADING	IN FRONT OF AXLE
LHL	LEFT HAND LEADING	IN FRONT OF AXLE

CALIPER ASSEMBLY FAMILY No.	STROKE NO				DISC WIDTH	DISC DIAMETER	EFF RAD	DMN 'U'	DIMN 'C'
	RHT	LHT	RHL	LHL					
CP5060-	10	11	12	13	32.0	378.0	163.6	126	44.0
CP5060-	10	11	12	13	32.0	366.0	157.8	120	44.0
CP5060-	10	11	12	13	32.0	356.0	152.6	115	44.0
CP5060-	2	3	4	5	35.6	378.0	163.6	126	45.8
CP5060-	2	3	4	5	35.6	356	152.6	115	45.8

RADIAL PROFILE DATA																
PART No.	DISC DIA	DISC WIDTH	RAD1	RAD2	RAD3	RAD4	RAD5	RAD6	W1	W2	W3	W4	W5	W6	W7	W8
CP5060-10/11/12/13	378.0	32.0	132.25	134.20	137.15	189.90	204.90	211.20	71.00	50.90	47.90	78.25	74.00	36.10	54.30	57.00
CP5060-10/11/12/14	366.0	32.0	127.00	128.50	131.40	182.60	198.10	204.80	71.00	50.90	47.90	78.25	74.00	36.10	54.30	57.00
CP5060-10/11/12/15	356.0	32.0	121.25	123.20	126.15	178.90	193.90	200.20	71.00	50.90	47.90	78.25	74.00	36.10	54.30	57.00
CP5060-2/3/4/5	378.0	35.6	132.25	134.20	137.15	189.90	205.30	211.20	72.40	53.50	49.80	80.10	75.80	36.50	54.30	57.00
CP5060-2/3/4/5	356.0	35.6	121.25	123.20	126.15	178.90	194.30	200.20	72.40	53.50	49.80	80.10	75.80	36.50	54.30	57.00

Rev	Alterations			Zone	Initials
	Date & No.	Particulars	#		
1	13/05/03 B3649	CURRENT ISSUE			SAT
2	25/08/04	MTG HOLE Ø12.20 / 12.10 WAS SHOWN AS Ø12.25 / 12.15	12G		SAT
3	15/02/07 B4750	CALIPER PART No. NOTE REPLACES ORDERING SYSTEM NOTE 'L' SUFFIX NOTE ADDED			SAT

SCALE 1:1 SHEET 1 OF 1
 DRAWN Steve Thomas
 APPROVED
 DERIVED FROM
 TITLE
**6 PISTON CALIPER
 INSTALLATION DRAWING**
 DRG NO. cp5060-1cd